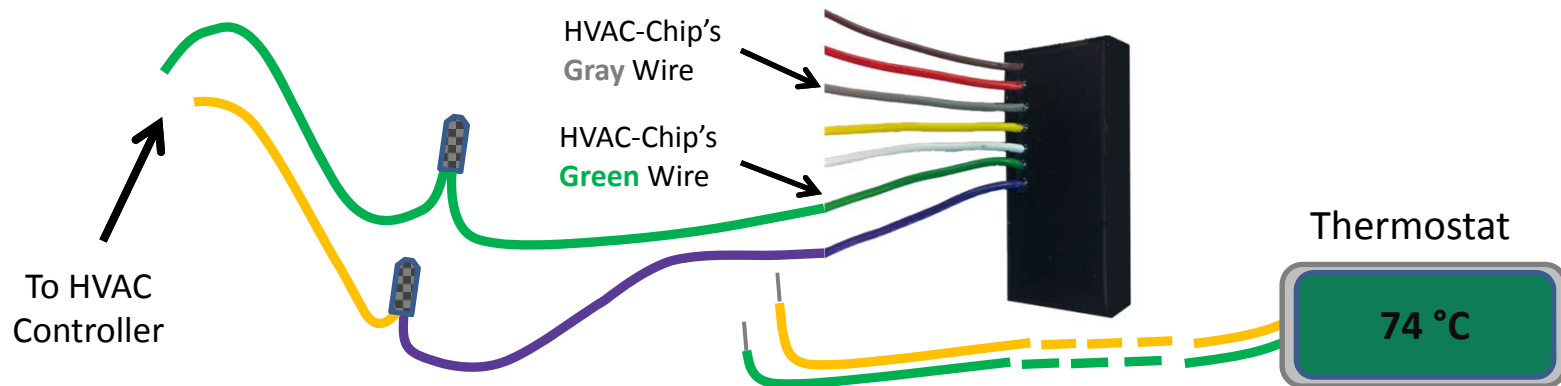
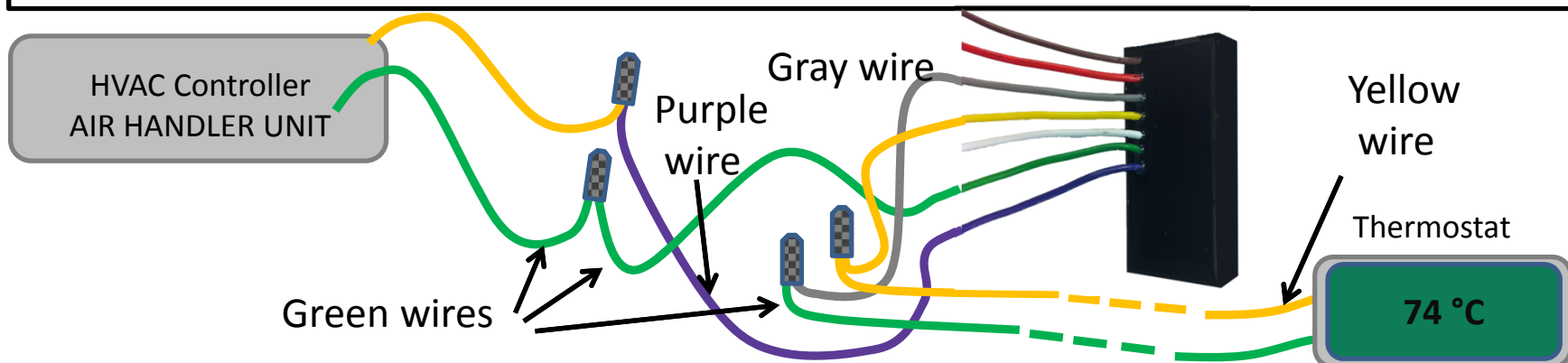


## IMPORTANT. READ FIRST.

PLEASE READ THIS BEFORE INSTALLING THE CWS-8THEM-0006 AT THE AIR HANDLER UNIT.  
Please visit [www.hvac-chip.com](http://www.hvac-chip.com) or call CWS technical support for any questions : +1 714 279 9010



**Basic Concept:** Regardless of where at the Air Handler Unit the CWS-8THEM-0006 HVAC-Chip is installed, the **GREEN** and the **PURPLE** wires of this HVAC-Chip respectively always connect to the Fan and Compressor wires going to the HVAC system or HVAC controller. (See above picture)  
The Chip's **GRAY** and **YELLOW** wires respectively always connect to the **GREEN** and **YELLOW** wires going to the thermostat. (See below picture). The HVAC controller is located at the Air Handler Unit or at the Roof Top Unit. If this connection is reversed, the chip can be damaged. **TURN HVAC POWER OFF BEFORE INSTALLATION.**

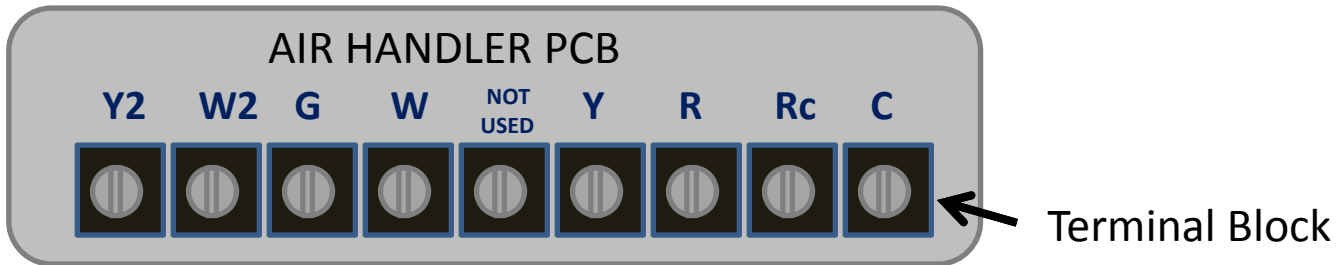


**Correct Connection of the Fan and Compressor Wiring**

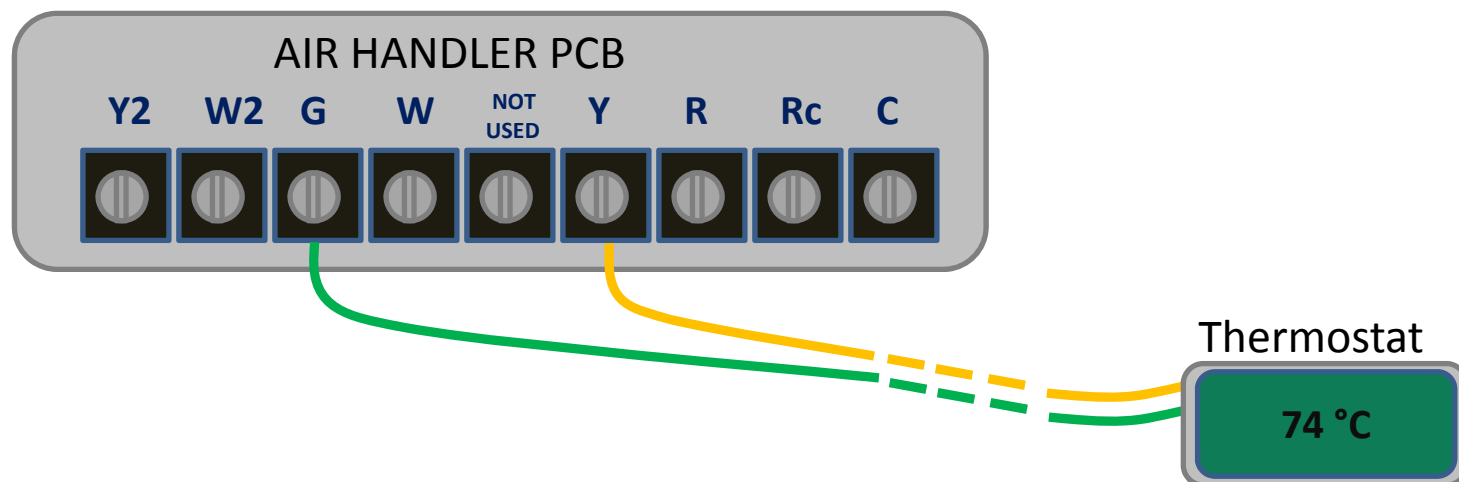
## AIR HANDLER UNIT WITH TERMINAL BLOCK

### HOW TO CORRECTLY CONNECT THE GRAY AND GREEN WIRES

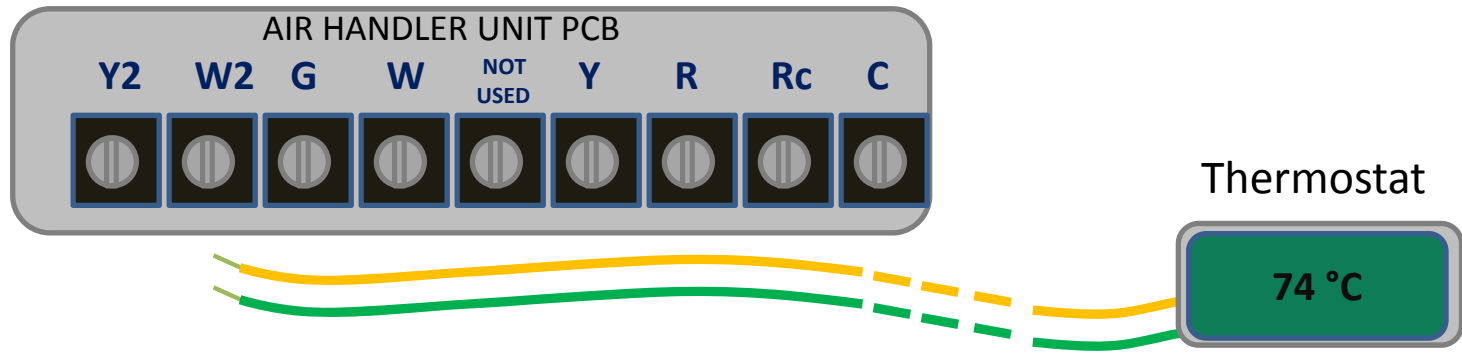
Step 1: At the Air-Handler Unit, locate the terminal block mounted on the PCB



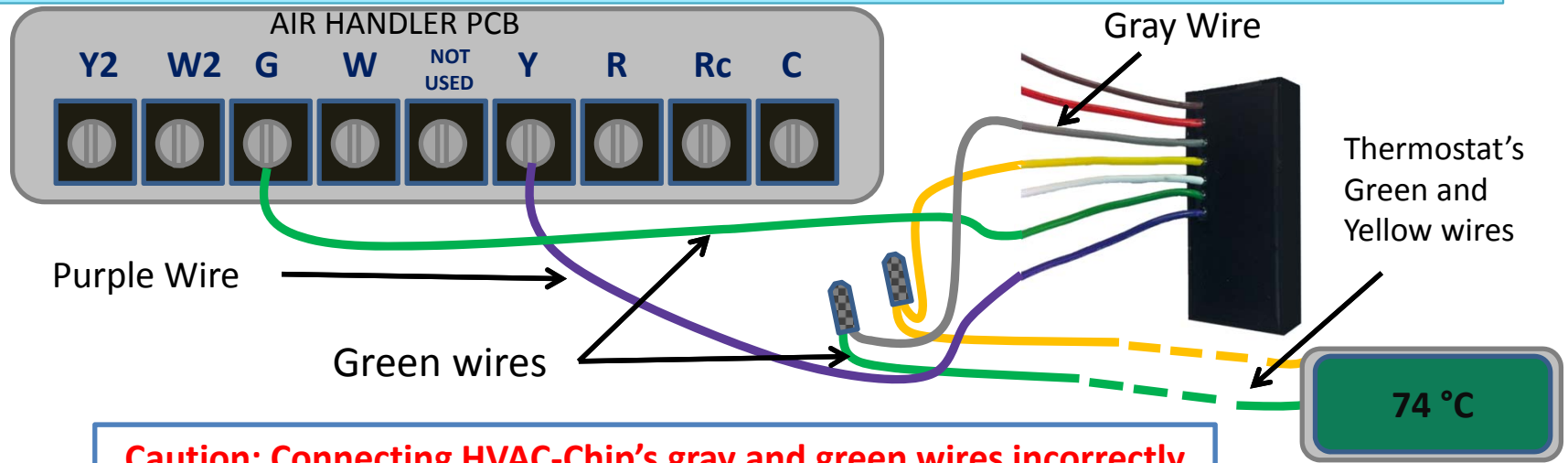
Step 2: Find the terminals with the letter "G" (green wire) and "Y" (green wire)



Step 3: Disconnect the **Green** wire from the “G” terminal and the **YELLOW** wire from the “Y” Terminal of the terminal block as shown below



Step 4: Connect HVAC-Chip's **GRAY WIRE** to the thermostat's **GREEN** wire. *Note that the chip's gray and yellow wires must connect to the wires going to the thermostat.* Then, connect HVAC-Chip's **GREEN WIRE** to the “G” Terminal and the **PURPLE** wire to the “Y”. *Note that the chip's green and purple wires must connect to the HVAC controller or to the fan and compressor wires going to the HVAC system.*



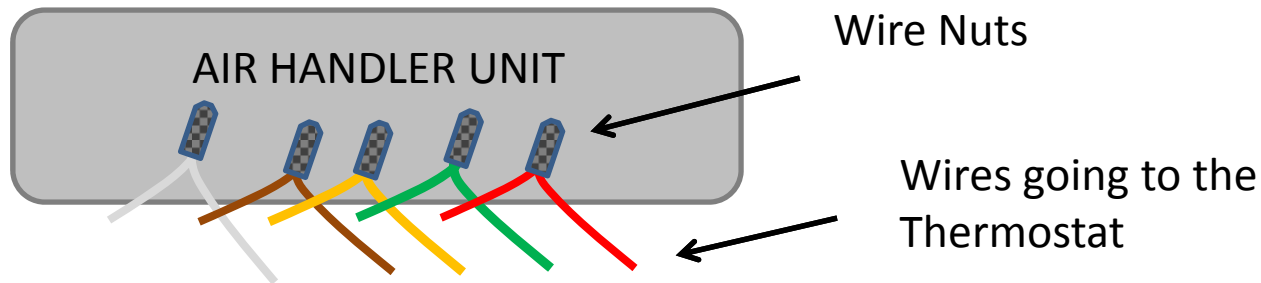
**Caution: Connecting HVAC-Chip's gray and green wires incorrectly or connection done in reverse may damage the chip.**

Thermostat

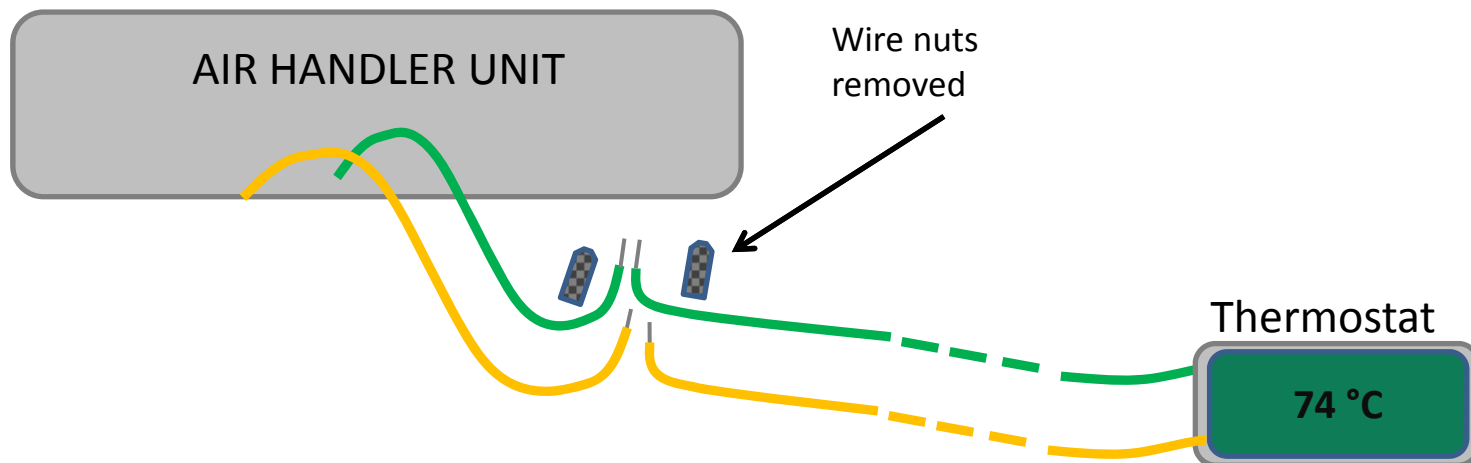
# AIR HANDLER UNIT WITH WIRE NUTS CONNECTION AND NO TERMINAL BLOCK

## HOW TO CORRECTLY CONNECT THE GRAY, YELLOW and GREEN WIRES

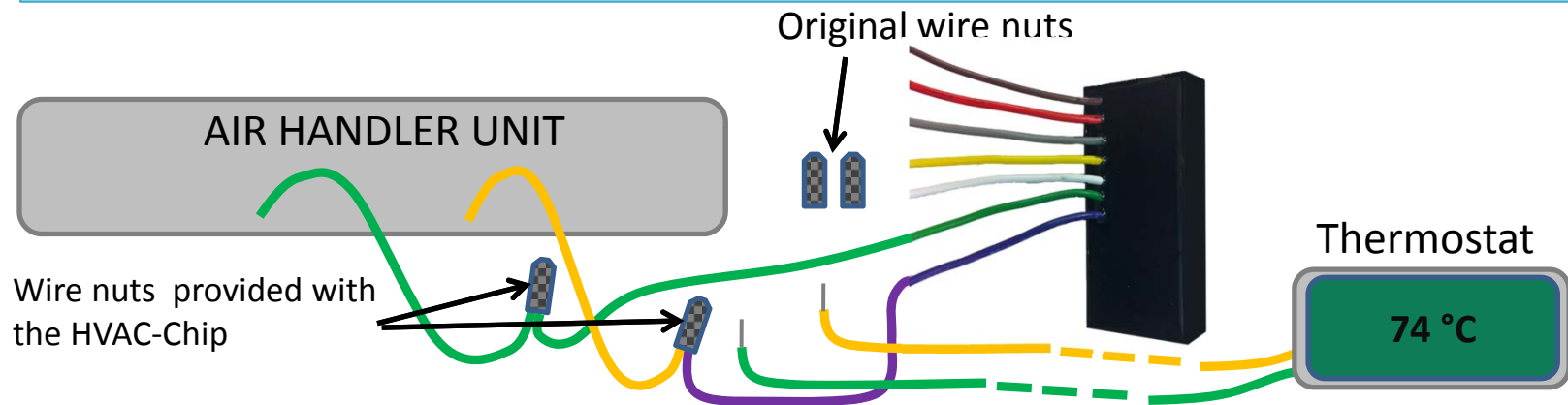
Step 1: At the Air-Handler Unit locate the wires going to the thermostat



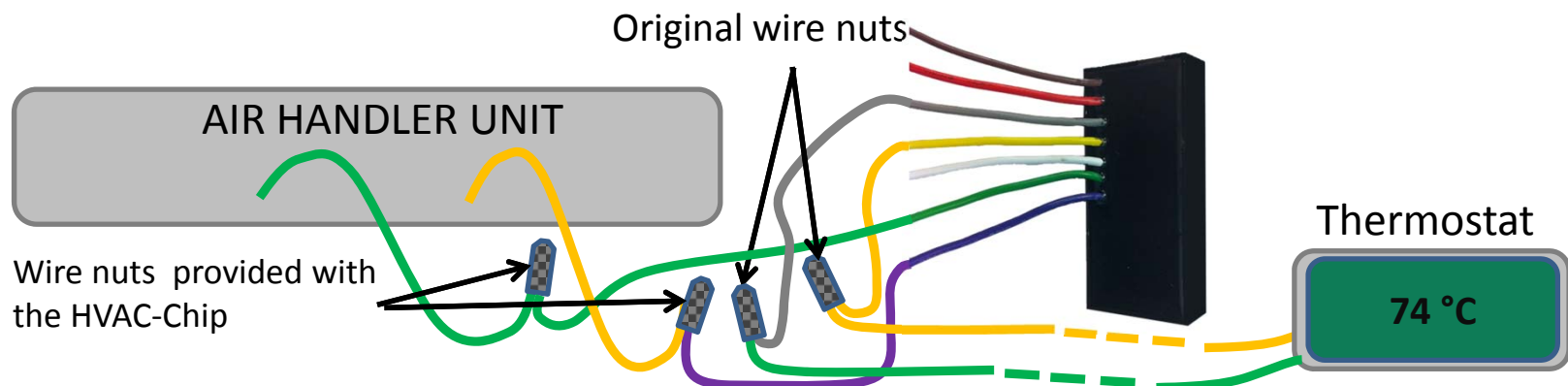
Step 2: Find the green and yellow wires. Remove the wire nut and separate the wires. *Then, identify which wires go to the thermostat and which wires go to the HVAC controller. Tag the wires correctly.*



Step 3: Connect the **Green** wire of the HVAC-CHIP to the **Green** HVAC fan wire and the **Purple** wire of the HVAC-CHIP to the **Yellow** wire of the HVAC or Air Handler Unit as shown below.



Step 4: Connect HVAC-Chip's **GRAY** WIRE to the **Green** wire going to the thermostat using the original wire nut and the Chip's **Yellow** to the **Yellow** wire going to the thermostat using the original wire nut as shown below. *Note that the chip's gray and yellow wires must connect to the wires going to the thermostat.*



Connect the other wires from the HVAC-Chip as shown in the Instruction Sheets